



# Highline® Comfort Height®

Two-piece elongated dual-flush chair height toilet

## K-3989

### Features

- Two-piece design.
- Elongated bowl offers added room and comfort.
- Comfort Height® feature offers chair-height seating that makes sitting down and standing up easier for most adults.
- Left-hand nested trip lever offers a choice of 1.1 or 1.6 gallons per flush (gpf).
- 2-1/8" (54 mm) fully glazed trapway.
- Combination consists of the K-4199 bowl and the K-4458 tank.

### Technology

- Dual-flush technology allows you to choose between a full or partial flush.

### Installation

- Seat sold separately.
- Standard 12" (305 mm) rough-in.
- Three-bolt quick-connect installation.

### Water Conservation & Rebates

- Eligible for consumer rebates in some municipalities.

### Recommended Products/Accessories

- K-4636 Cachet® Quiet-Close™ Elongated Toilet Seat
- K-5588 Purefresh® Elongated Toilet Seat
- K-4108 C³®-230 Elongated bidet toilet seat
- K-5420 Low-Profile Bolt Caps
- K-9237 Dual-flush Trip Lever
- 1023457 Wax Ring/Hardware Kit
- 1265114 Connector Hose
- K-23726 Drain treatment

### Included Components

Product consists of:

- K-4458 Toilet tank, dual-flush
- K-4199 Two-piece elongated chair height toilet bowl
- K-9237 Dual-flush Trip Lever

Additional Components:

- Bolt cap accessory pack
- Bowl
- Tank
- Tank cover
- Trip lever



**ADA** **CSA B651** **OBC**

### Codes/Standards




- ASME A112.19.2/CSA B45.1
- EPA WaterSense®
- ADA
- ICC/ANSI A117.1
- CSA B651
- OBC

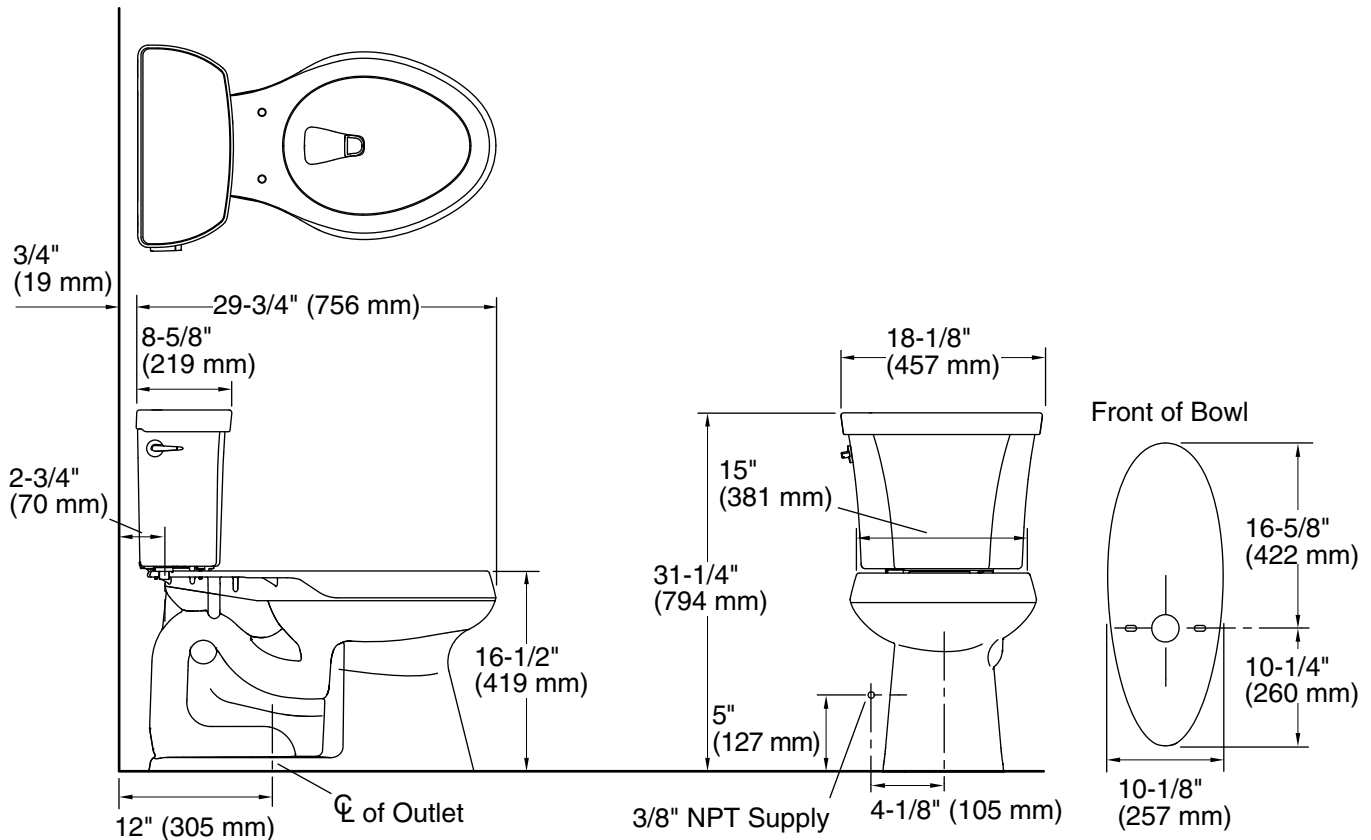
### KOHLER® Toilets and Seats Limited Warranty

See website for detailed warranty information.

### Available Colors/Finishes

*Color tiles intended for reference only.*

Color	Code	Description
	0	White
	96	Biscuit
	7	Black Black™



### Technical Information

All product dimensions are nominal.

Toilet type:	Two-piece, Floor-mount
Waste Outlet:	Floor
Bowl shape:	Elongated
Flush type:	Class Five®
Trap passageway:	2-1/8" (54 mm)
Water Consumption	
Full:	1.6 gpf (6 lpf)
Reduced:	1.1 gpf (4.3 lpf)
Water surface size:	11-3/8" x 8" (289 mm x 203 mm)
Rim to water surface:	5-3/8" (137 mm)
Rough-in:	12" (305 mm)
Seat-mounting holes:	5-1/2" (140 mm)

### Notes

Install this product according to the installation instructions.

The Model Plumbing Codes require the installation of elongated open-front toilet seats in public bathrooms.

ADA, OBC, CSA B651 compliant when installed to the specific requirements of these regulations.

Plumbing codes may require elongated toilets and elongated, open-front seats in public bathrooms.

Accessibility standards may require controls to be located on the open side of the toilet.